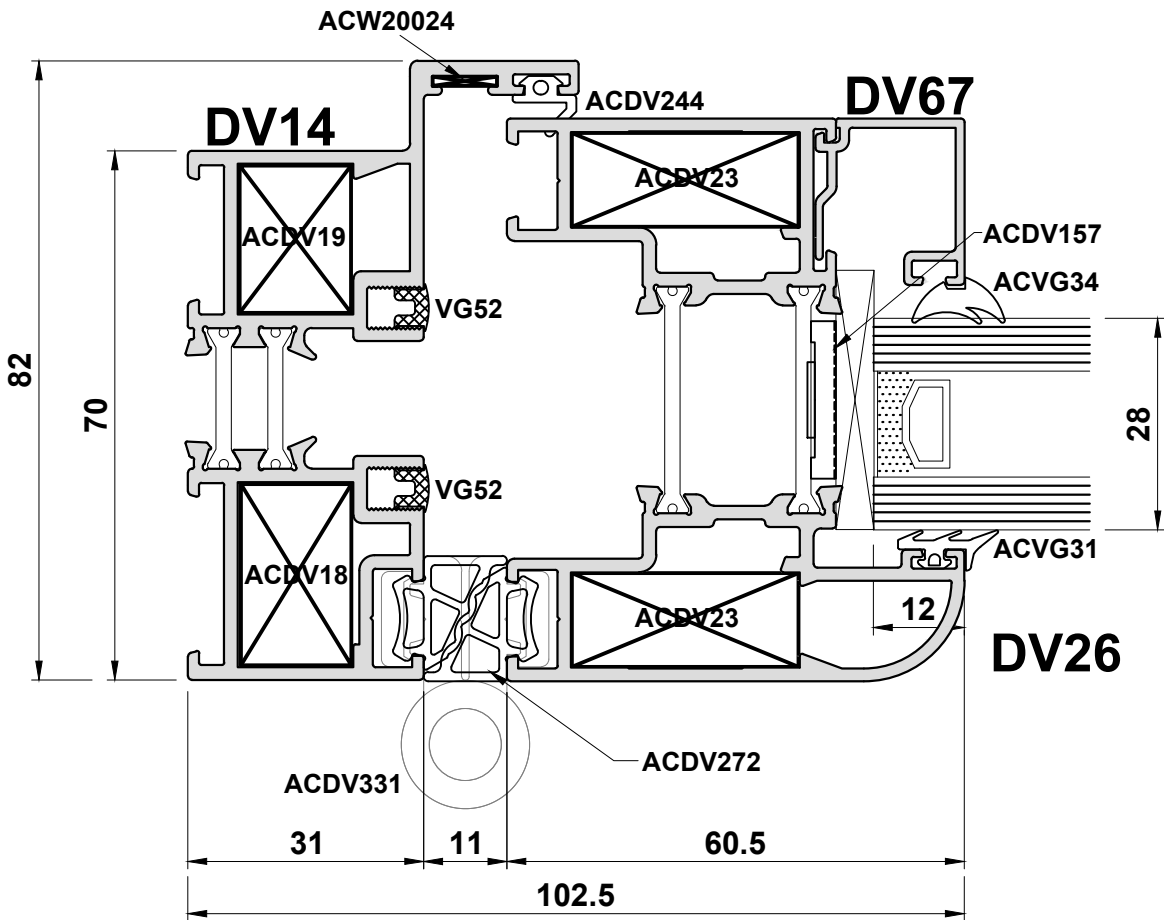
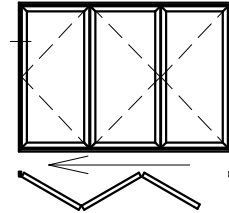


Open Out - Detail 1A



Do Not Scale From This Drawing