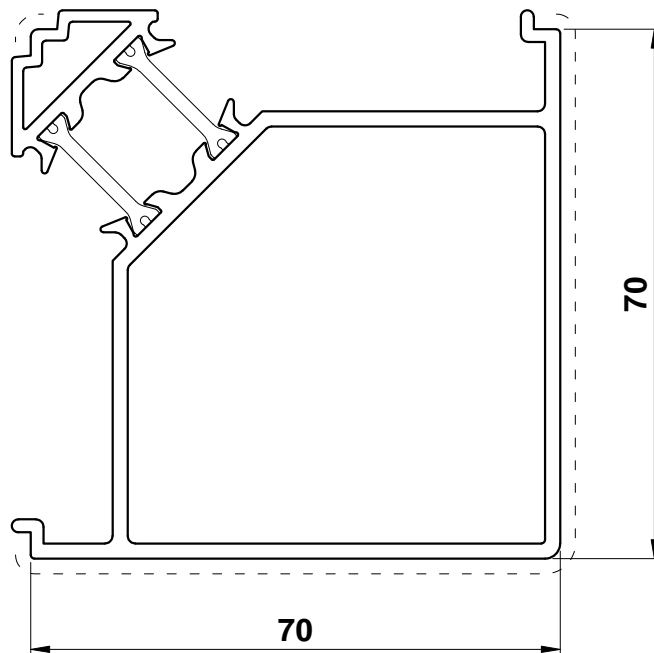


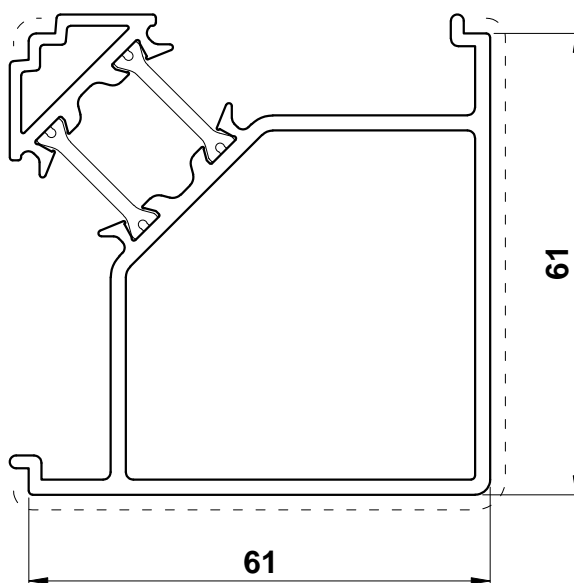
Primary Visible Side

Secondary Visible Side

ETC048
Compatible with ETC810 only



ETC848
Compatible with ETC811 only



Scale 1:1